



PROJECT		REF		REV	ITEM CODE	
LOCATION		DATE			PAGE	

## SANITARY WARE SPECIFICATION SHEET

Item Descriptions	GROHE (Germany) "Grandera" Wall mounted 2-hole basin mixer S-Size (Projection 177 mm)
Dimensions	L177 x W110 x H70 mm
Model	19929000
Finish / Material	Chrome Plated
Country of origin	Germany
Manufacturer	GROHE Limited
Supplier	Acme Sanitary Ware Co. Ltd Mr. Eric Wong/ Mr. Don Yuen
Contact Tel/Fax	(852) 2388-7171 / (852) 2710-8012
E-mail	acme@acmesanitary.com.hk
Website	www.acmesanitary.com.hk

Illustration/ Drawing

**"Grandera"**  
**2-hole basin mixer S-Size**

- wall mounted
- set for final installation for 23 319 000
- without concealed body
- **GROHE StarLight** chrome finish
- **GROHE EcoJoy** technology for less water and perfect flow
- **GROHE AquaGuide** adjustable mousseur 5.7 l/min
- centre distance 110 mm
- projection 177 mm

**19929000**

**19929IG0**

Colour options:  
 ● 000 | StarLight Chrome    ● IG0 | Chrome/Gold

Note:

\* All information of the above is for the reference only. No prior notice is made if any changes.



PROJECT		REF		REV	ITEM CODE	
LOCATION		DATE			PAGE	

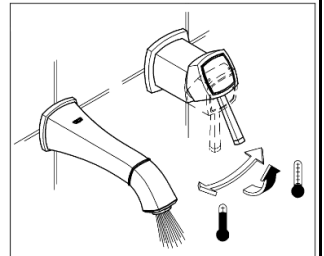
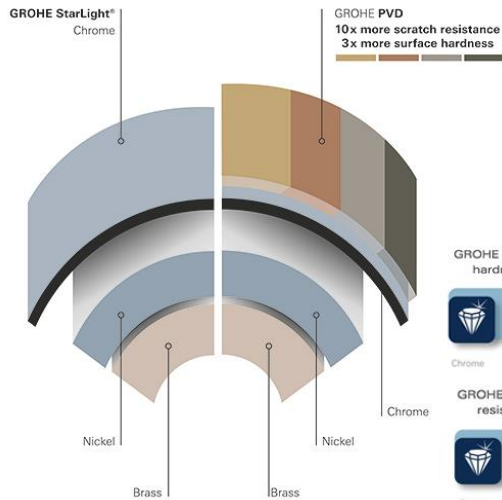
# SANITARY WARE SPECIFICATION SHEET

## GROHE GRANDERA

### TOMORROW'S GRAND STYLE

The GROHE Grandera collection is both a homage to an age of grandeur long past and an affirmation of modern sensibility, combining the highest standards of quality and craftsmanship with a love of detail and comfort.

Stylistically, the Grandera collection can be combined with a wide range of bathroom furnishings, with the added flexibility of two colors – chrome and chrome / gold.



GROHE surface hardness



Chrome PVD

GROHE scratch resistance



Chrome PVD



#### GROHE STARLIGHT

Made-to-last surfaces ranging from precious matt to shiny like a diamond.



#### GROHE ECOJOY

Save precious resources and enjoy 100 % water comfort.



#### AQUAGUIDE

Variable spout end for adjustment of water flow.



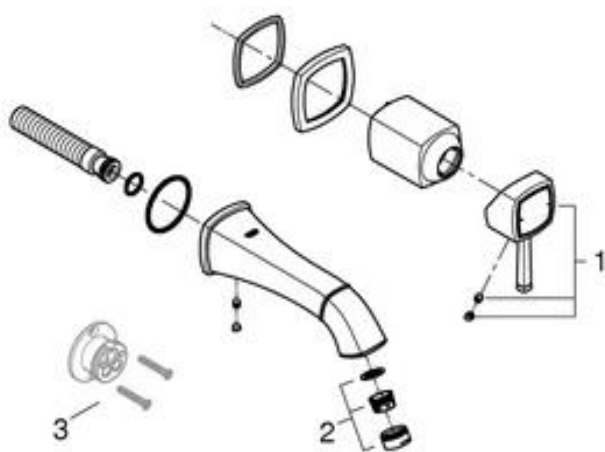
### Easy to clean thanks to the GROHE StarLight chrome coating

Just wipe the tap down with a dry cloth – the ultra smooth surface finish is scratch resistant and ensures a lasting luminous sheen. You'll save plenty of time cleaning while your tap always looks shiny and new.



### GROHE EcoJoy with water-saving function for reduced consumption

GROHE EcoJoy reduces water consumption by up to 50% without compromising on performance. Whenever you turn on your tap, you will enjoy a full jet of water while saving money nonetheless.



Pos.-nr.	Prod. description	Order-nr.
1	Lever	46833000
2	Flow straightener	46837000
3	Extension	46627000*

\* Optional accessories

Note: